

# How to make Windows . . .

## 1" = 1' DOUBLE HUNG WINDOW SYSTEM

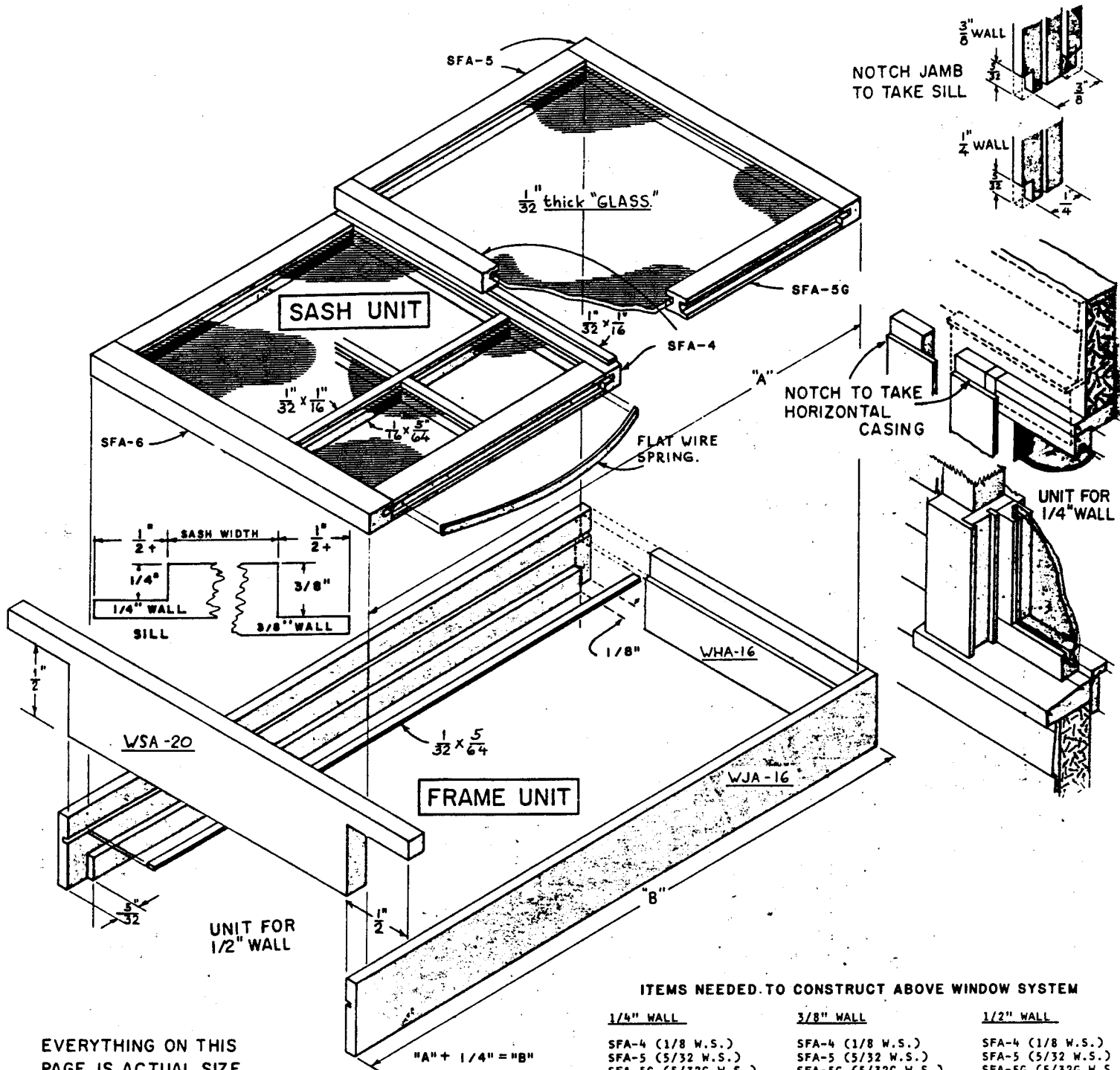
The NORTHEASTERN double hung window system is based on 1/2" thick walls. However, since many houses are already built, or in the construction stage, using thinner walls, we have worked out methods of using our standard sash regardless of wall thickness. The difference is in the jambs, headers, sills, and outside casings.

Each window unit is in two sub-assemblies; sash and frame units. The sashes should be made first and then the frame unit dimensioned to take them. The sill and header strips should be cut slightly longer than the finished sash width so that the windows won't bind.

The sashes and the inner surfaces of the frame should be painted before final assembly. Since the entire window set is installed as a unit, the opening in the plywood wall doesn't have to be precise. The window casing covers the cracks just as in a full-sized house.

Note that in all three versions, the room-side edges of the jambs, sill, and header are flush with the plywood wall.

Window units, complete with casings, are best installed before siding materials are attached to outside plywood walls.



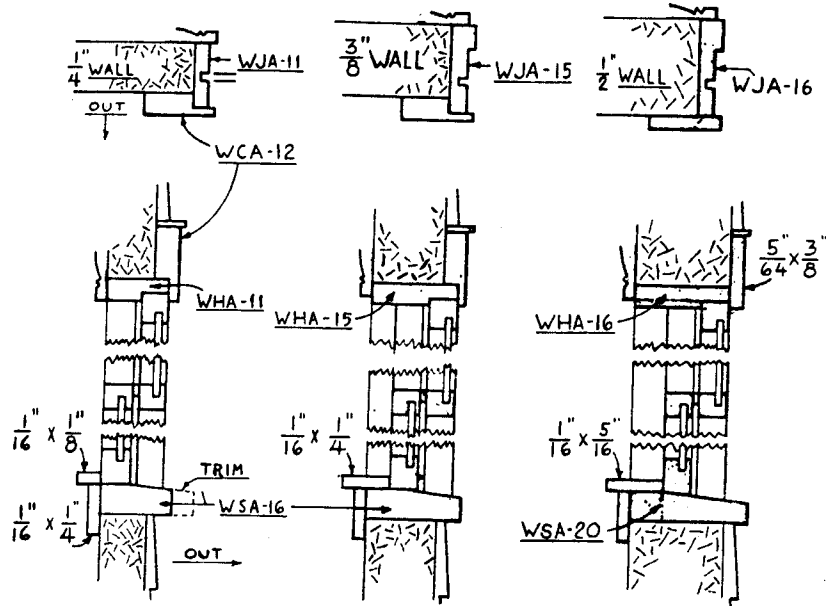
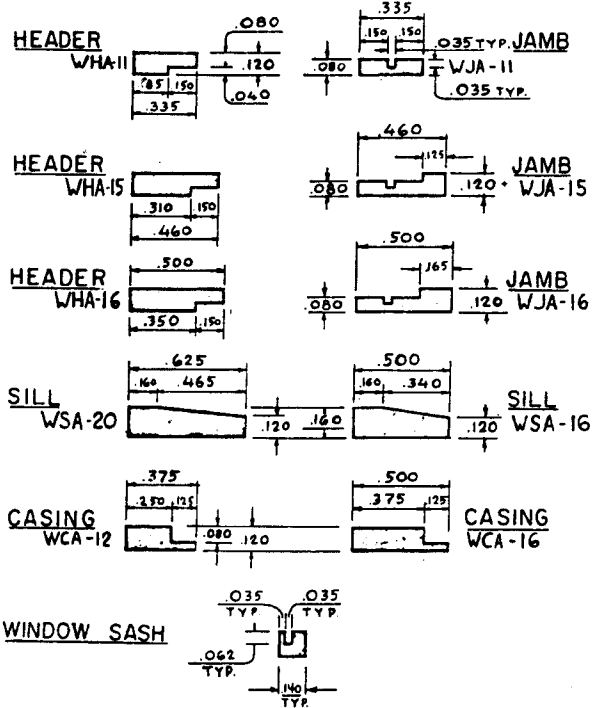
EVERYTHING ON THIS PAGE IS ACTUAL SIZE.

### ITEMS NEEDED TO CONSTRUCT ABOVE WINDOW SYSTEM

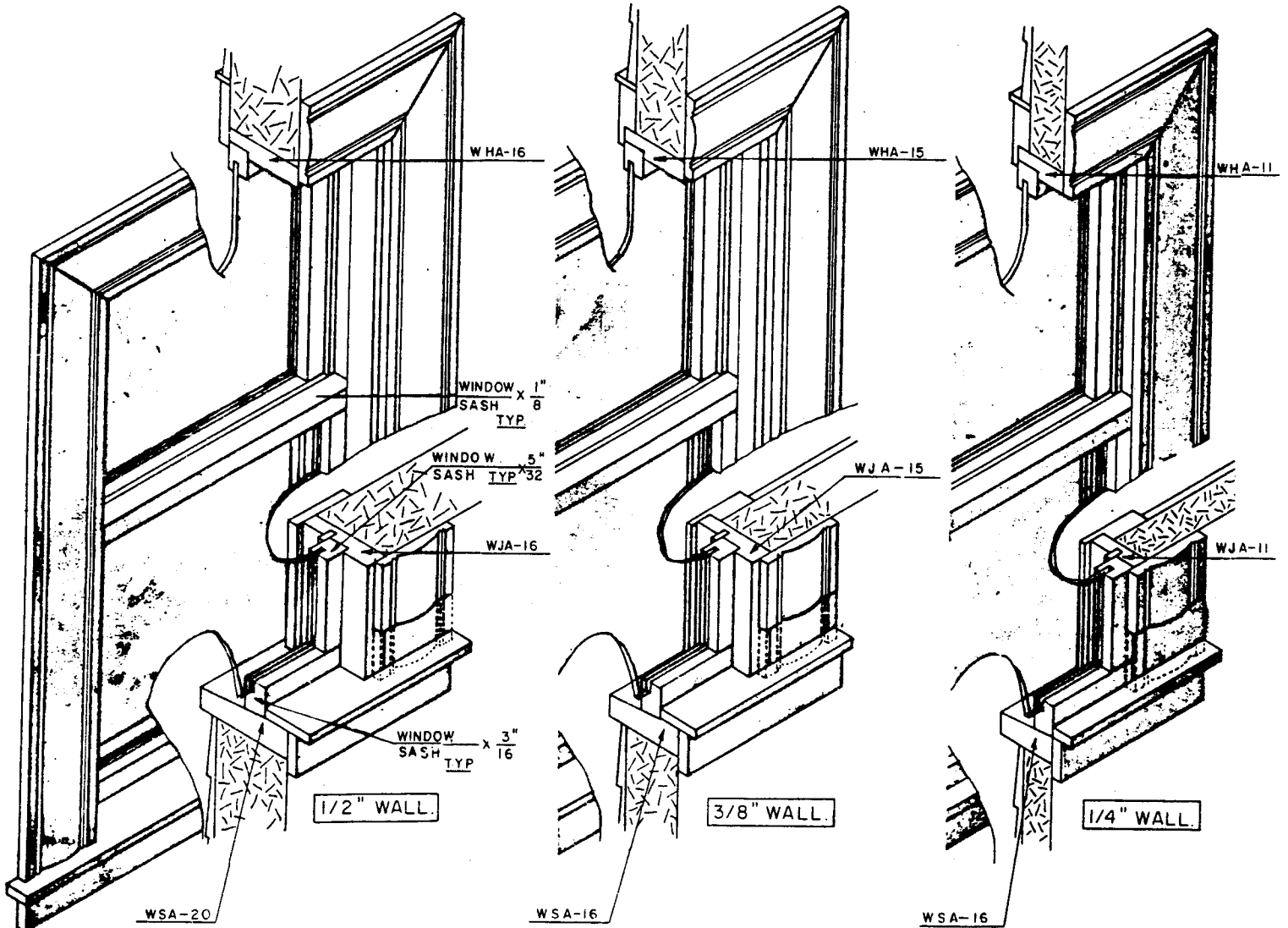
1/4" WALL	3/8" WALL	1/2" WALL
SFA-4 (1/8 W.S.)	SFA-4 (1/8 W.S.)	SFA-4 (1/8 W.S.)
SFA-5 (5/32 W.S.)	SFA-5 (5/32 W.S.)	SFA-5 (5/32 W.S.)
SFA-5G (5/32G W.S.)	SFA-5G (5/32G W.S.)	SFA-5G (5/32G W.S.)
SFA-6 (3/16 W.S.)	SFA-6 (3/16 W.S.)	SFA-6 (3/16 W.S.)
FLAT WIRE	FLAT WIRE	FLAT WIRE
NCA-12	WCA-12 OR WCA-16	WJA-16
WJA-11	WJA-15	WHA-16
WHA-11	WHA-15	WSA-20
WSA-16	WSA-16	1/16 X 5/16
1/16 X 1/8	1/16 X 1/4	1/32 X 5/64
1/16 X 1/4	1/32 X 1/16	1/32 X 1/16
1/32 X 1/16	1/16 X 5/64	1/16 X 5/64
1/16 X 5/64	1/32 X 5/64	5/64 X 3/8

# MATERIAL SPECIFICATIONS.

# SIDE VIEWS



# INTERIOR VIEWS (with cutaway detail)



ALL PRICES AND SPECIFICATIONS SUBJECT TO CHANGE WITHOUT NOTICE.