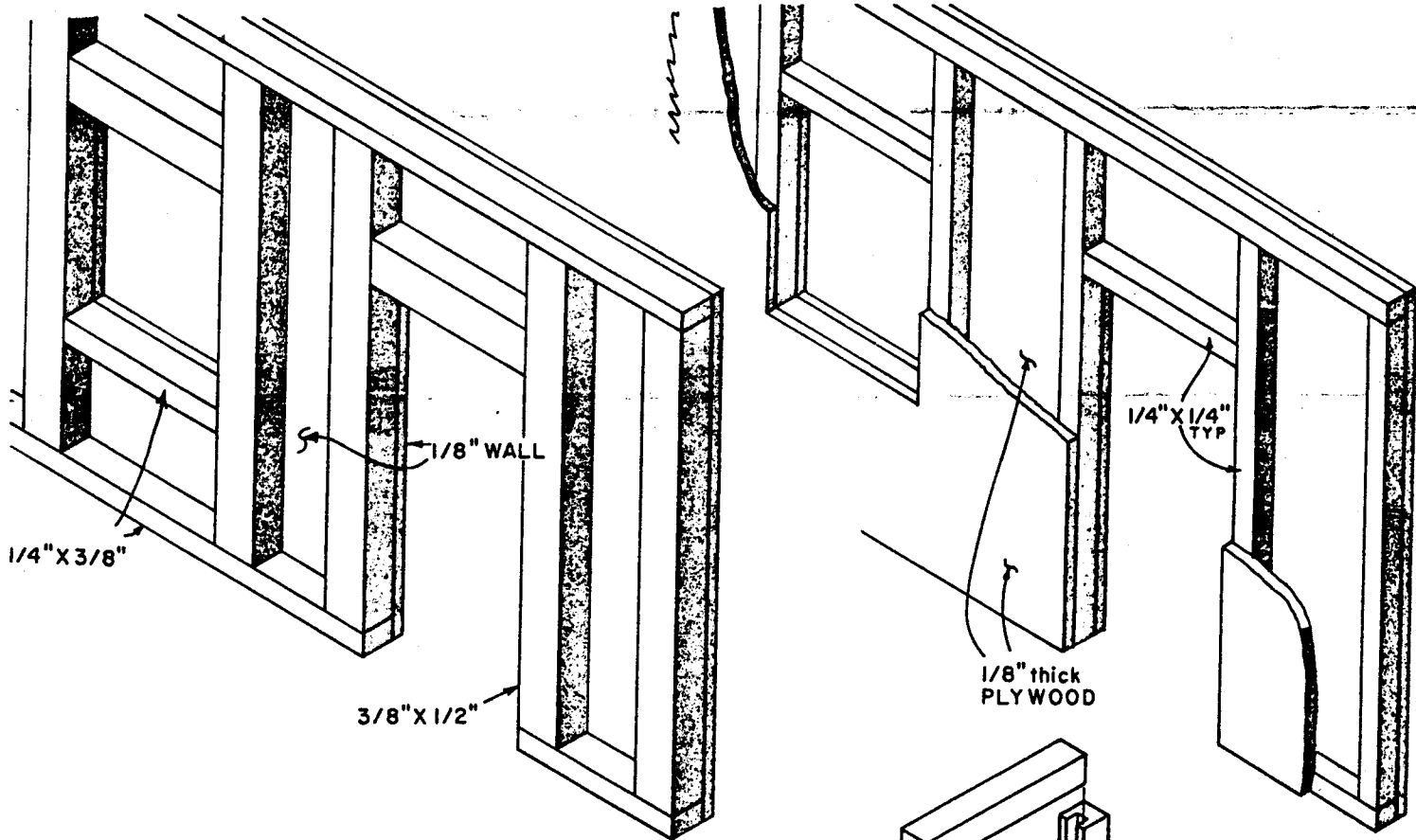


# Doll House Construction . . .

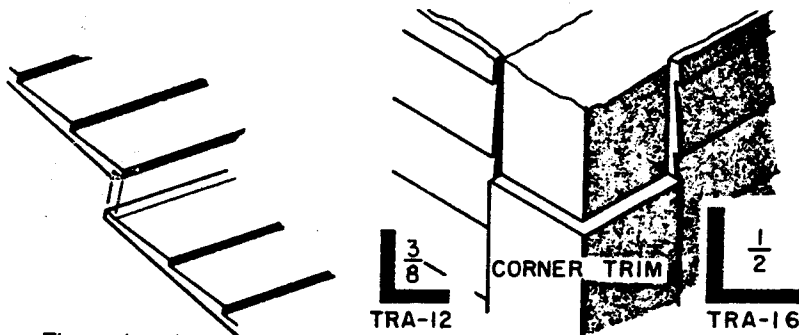
Dollhouses are usually built using plywood or particle board walls, floors, and roofs. External siding and trim are added to this basic "box" structure. A scale of 1" = 1 ft. has virtually become the standard for all dollhouse construction. All our materials are made to this scale.

Wall thicknesses commonly used, both for individual construction as well as commercial kits, are 1/4", 3/8", and 1/2", the latter being the closest to scale and the one we most highly recommend. The walls need not be solid material but can be built up as per drawings below. This keeps the weight down as well as making possible electric wiring for lights.

## WALL THICKNESSES



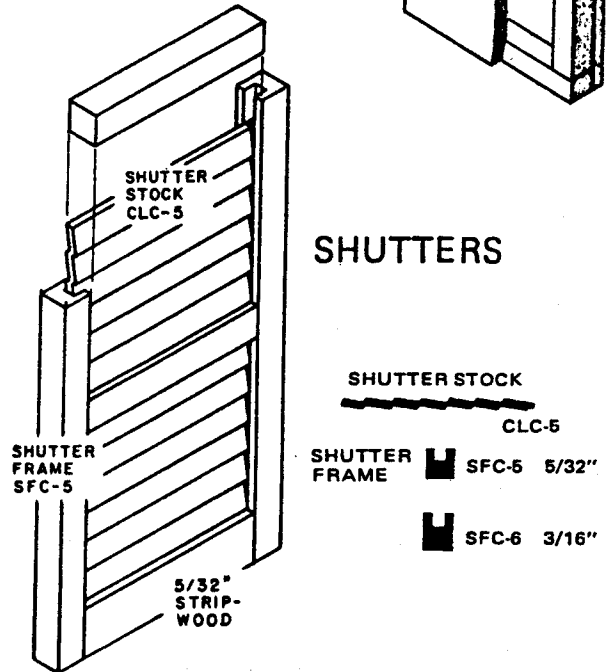
## CLAPBOARD SIDING



The overlap edge eliminates the "shrinkage gap."

The corner angle stock allows you to install corner trim as in prototype houses - the clapboard butting to the trim.

## SHUTTERS



*The quality name in Scale Model  
Wooden Materials for over 35 years.*

P.O. Box 727, Methuen, MA 01844 • Tel. (617) 688-6019